

Cono-Weeder

Technical drawings



*Prepared by Godfrey Mwinama, Centre for Agricultural Mechanization and Rural Technology
(CAMARTEC), Arusha, Tanzania*

*Edited and convened by Jonne Rodenburg, Africa Rice Center (AfricaRice), Dar es Salaam,
Tanzania*



AfricaRice



Figure 1: Pictorial view of the cono-weeder

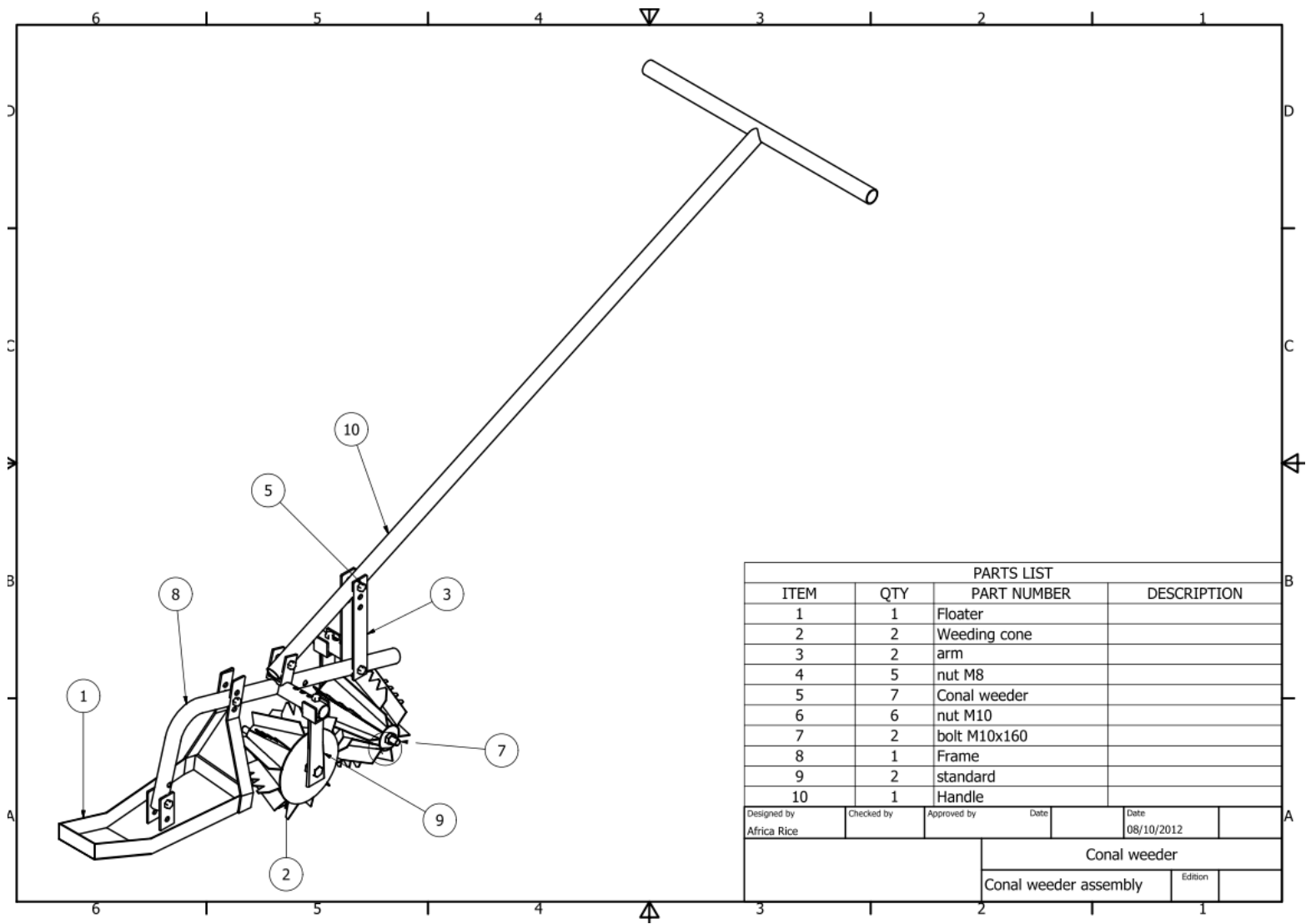


Figure 2 A. Positioning of important parts of the cono-weeder

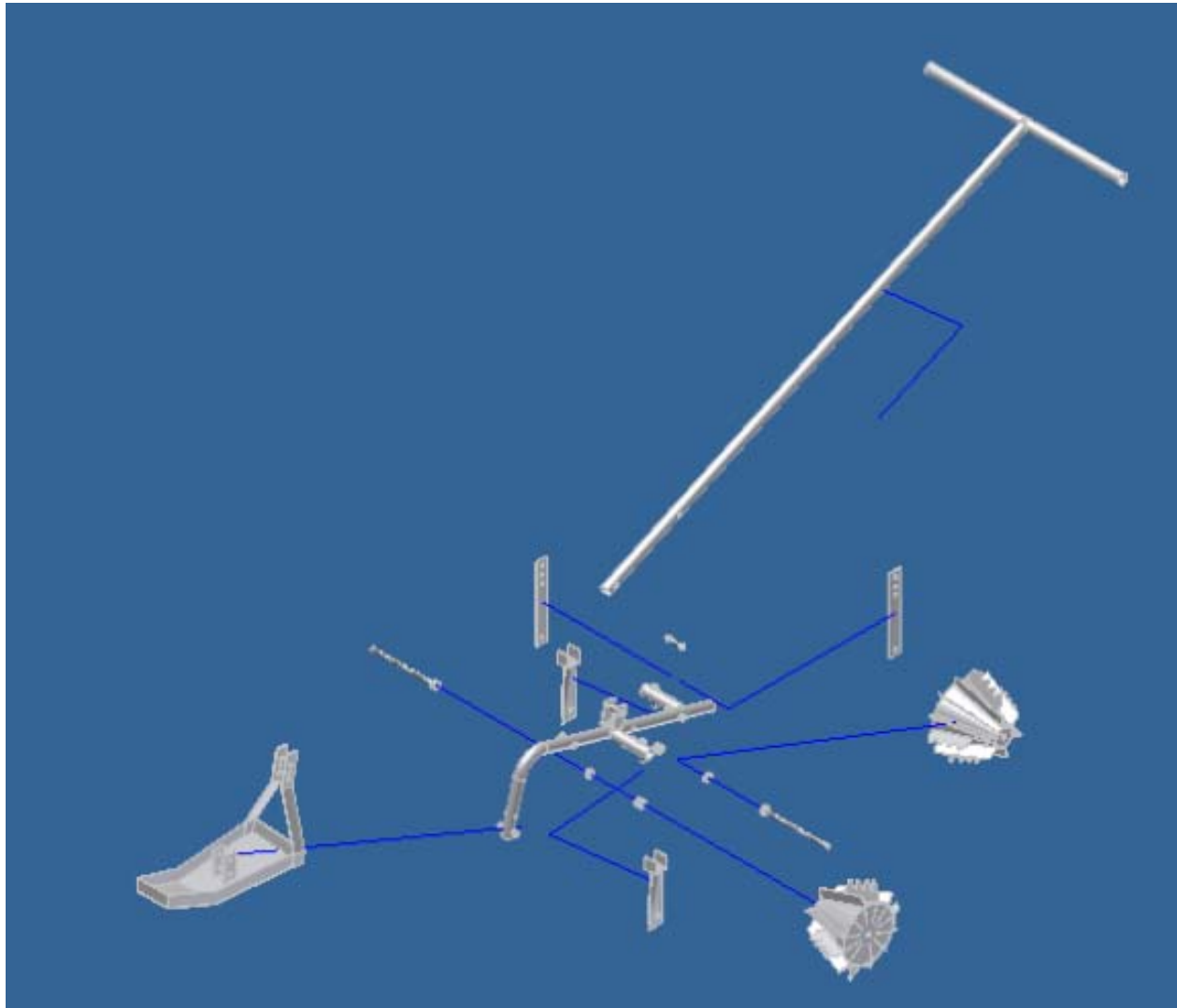


Figure 2B: Positioning of important parts of the cono-weeder

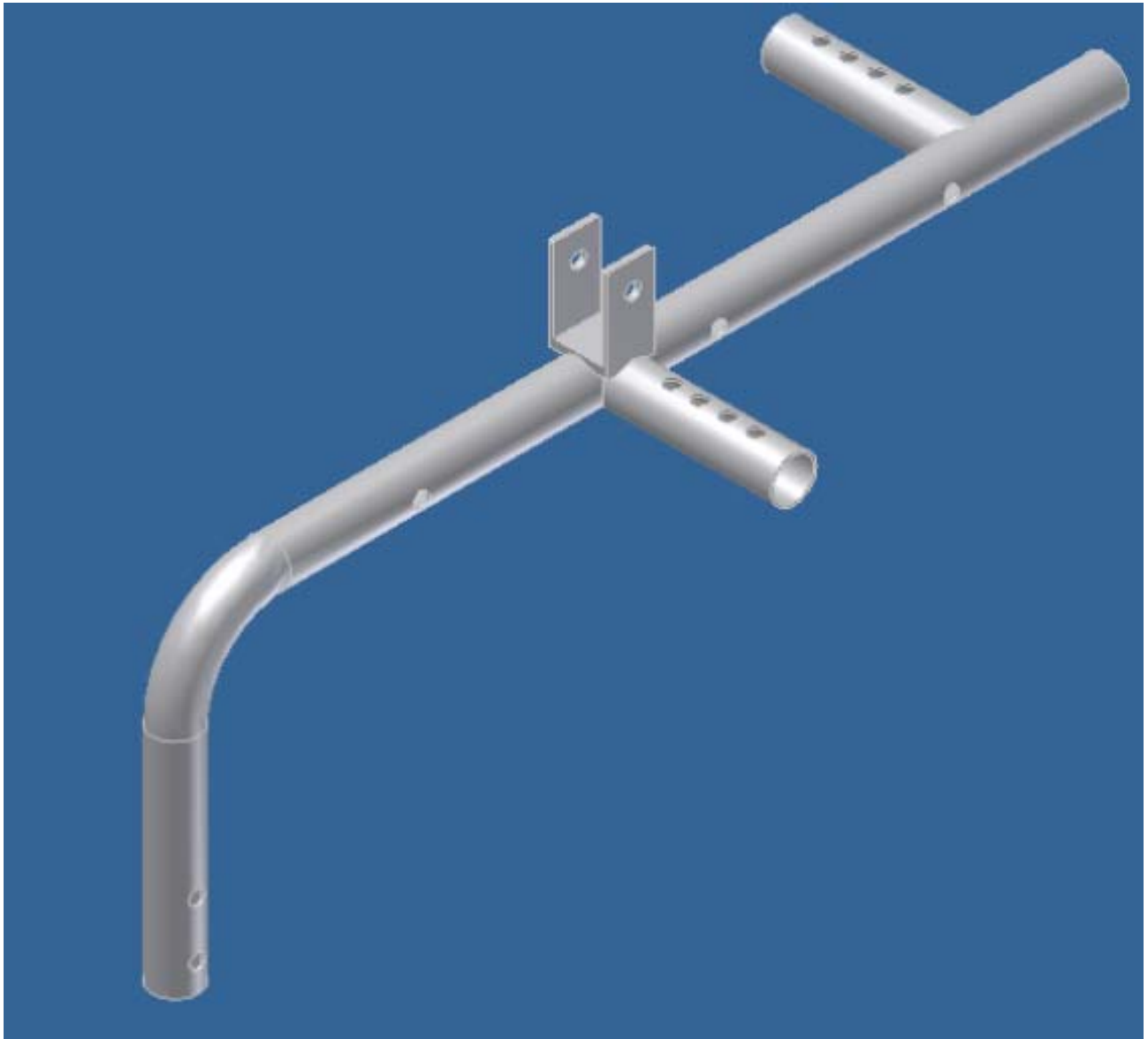


Figure 3A: Pictorial view of the cono-weeder frame

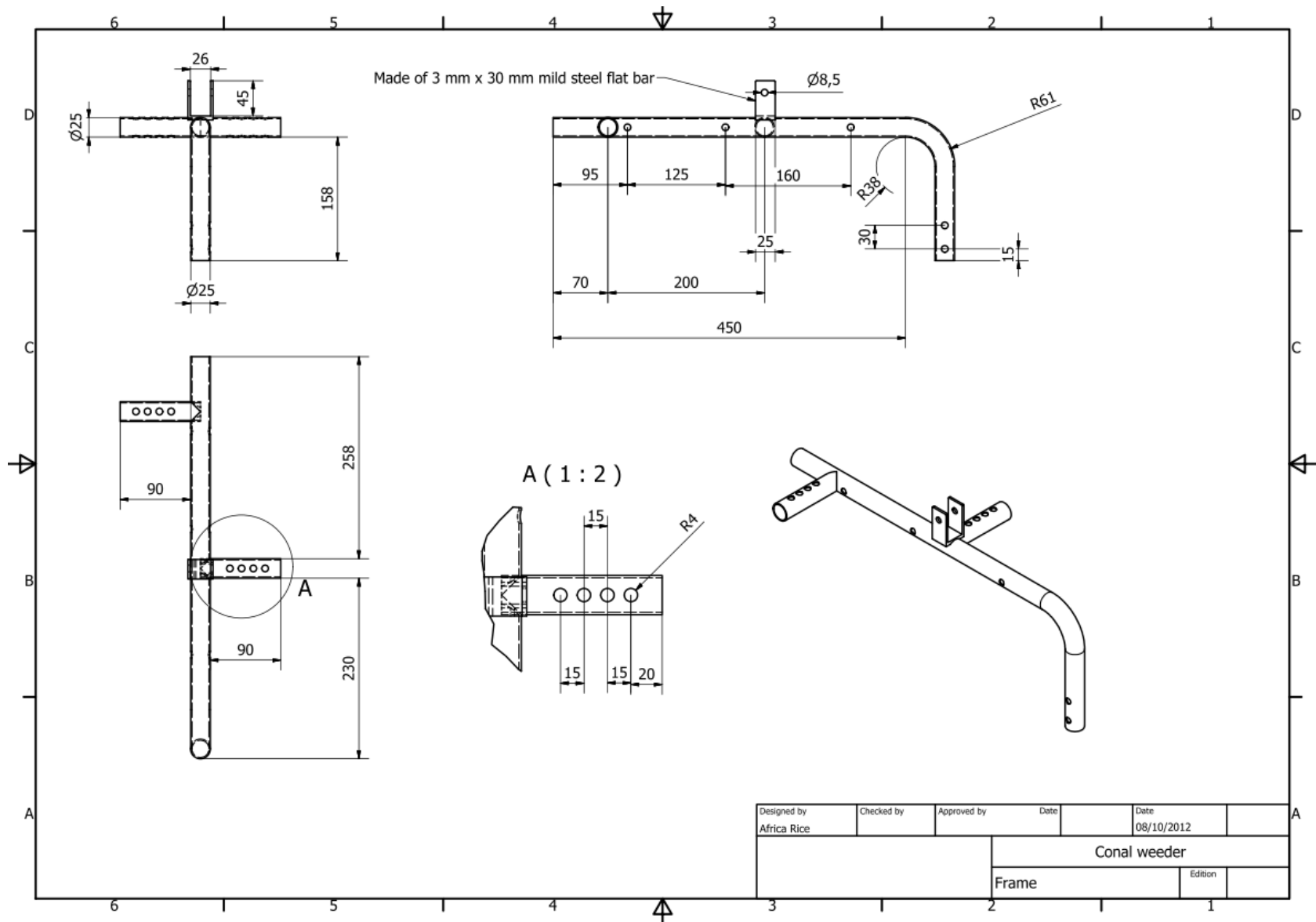


Figure 4B: Technical drawing of the cono-weeder frame

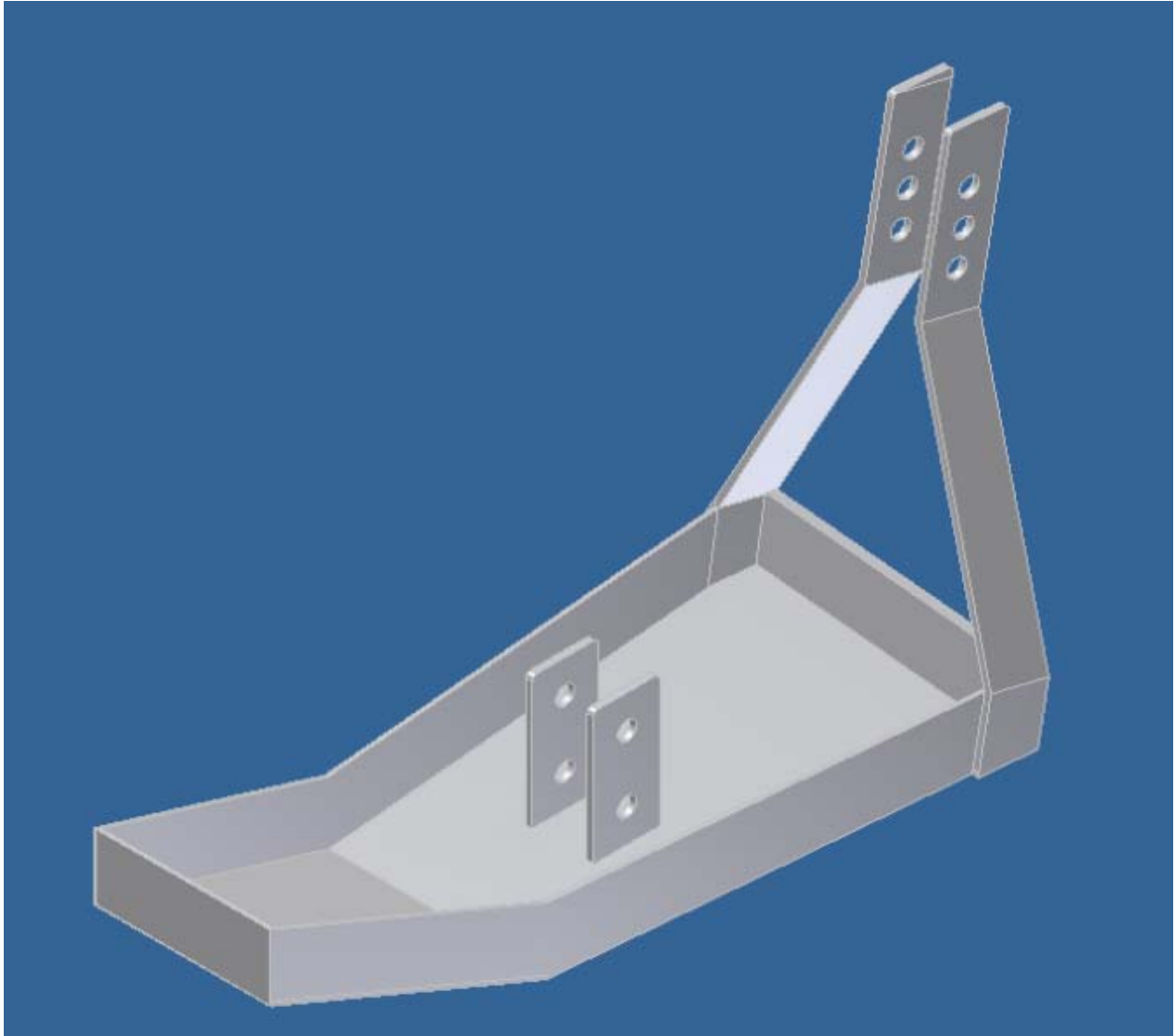


Figure 5A: Pictorial view of cono-weeder floater

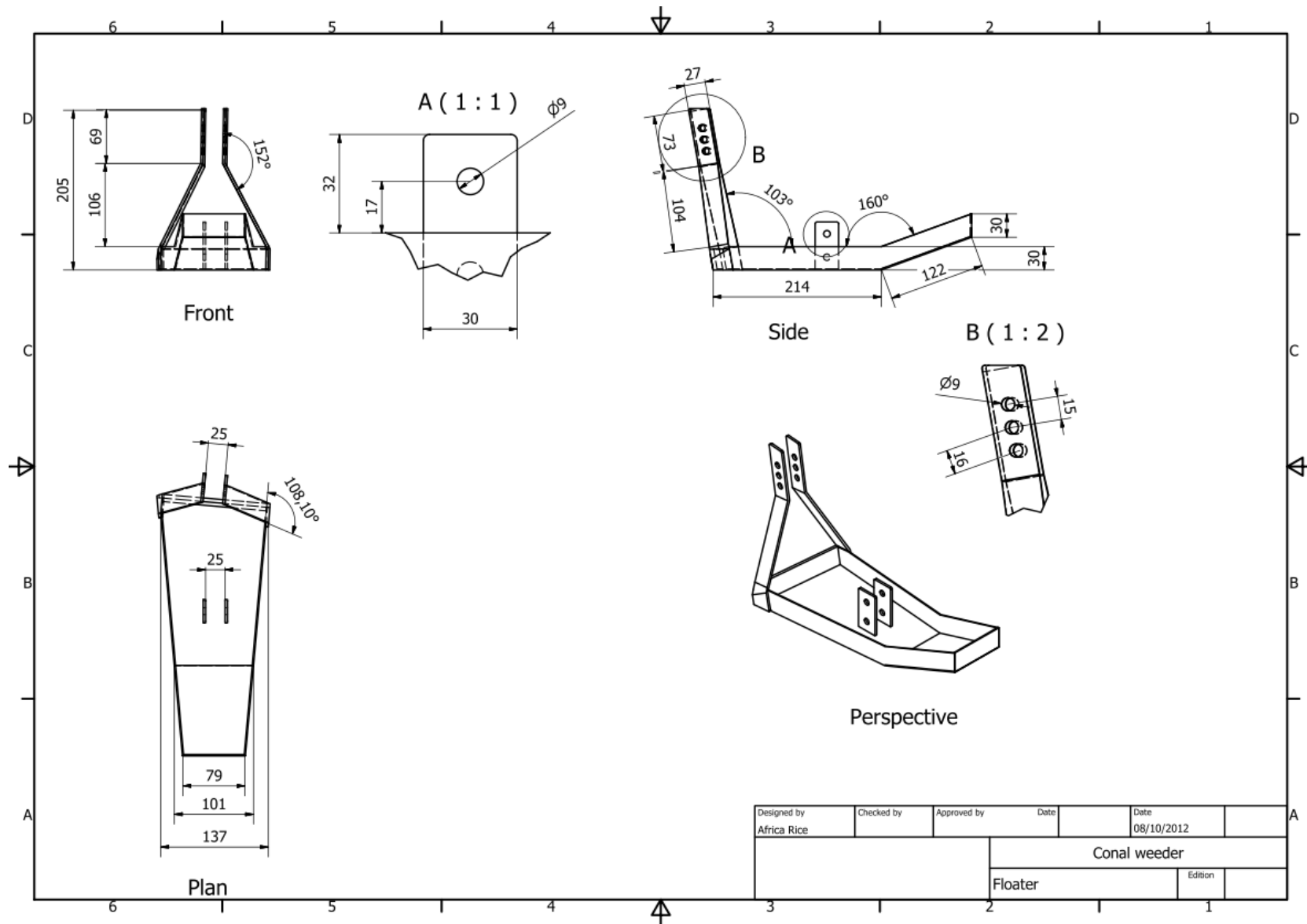


Figure 4B: Technical drawing of the cono-weeder floater

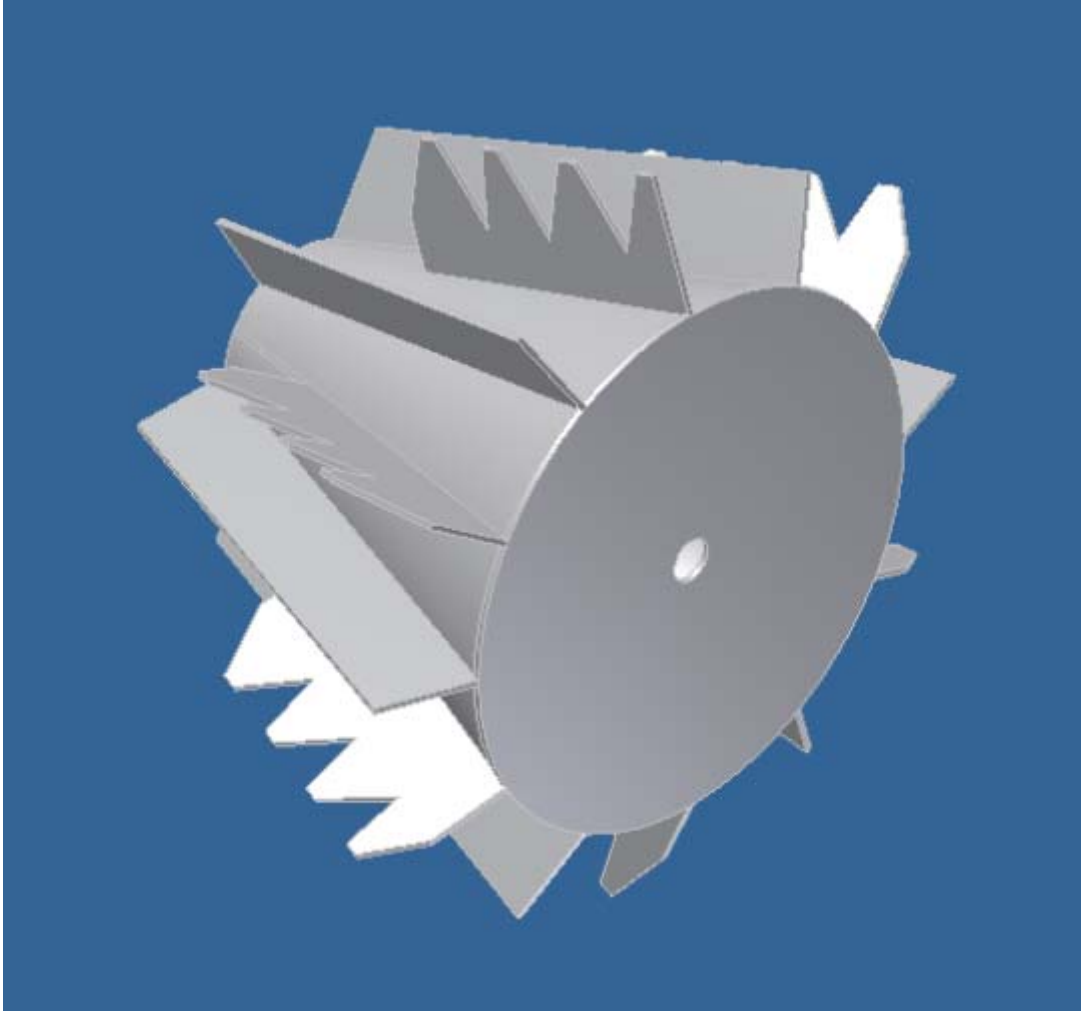


Figure 6A: Pictorial view of the weeding cone

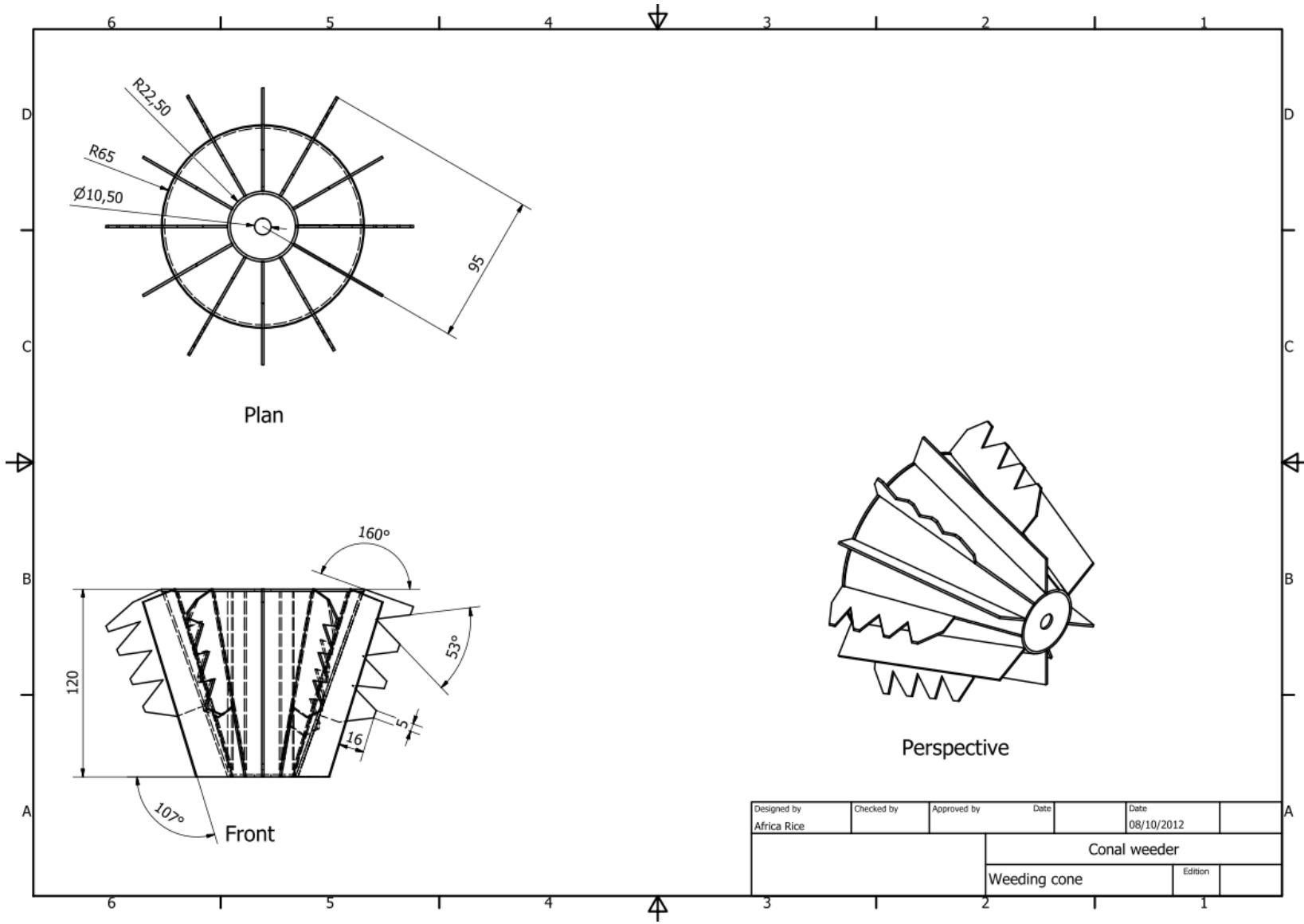


Figure 7B: Technical drawing of the weeding cone



Figure 8A: Pictorial view of weeding-cone holder (standard)

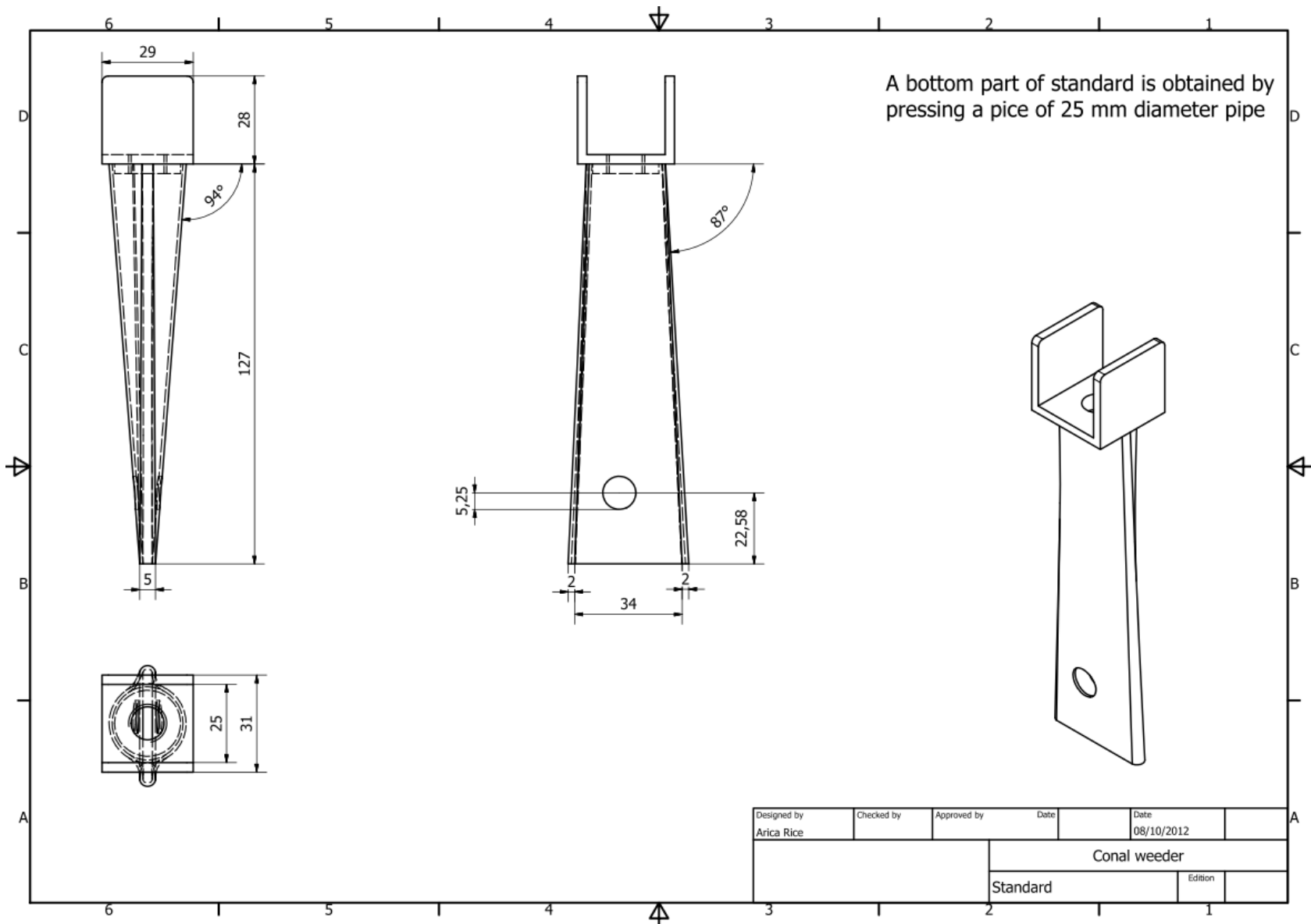


Figure 9B: Technical drawing of weeding-cone holder (standard)

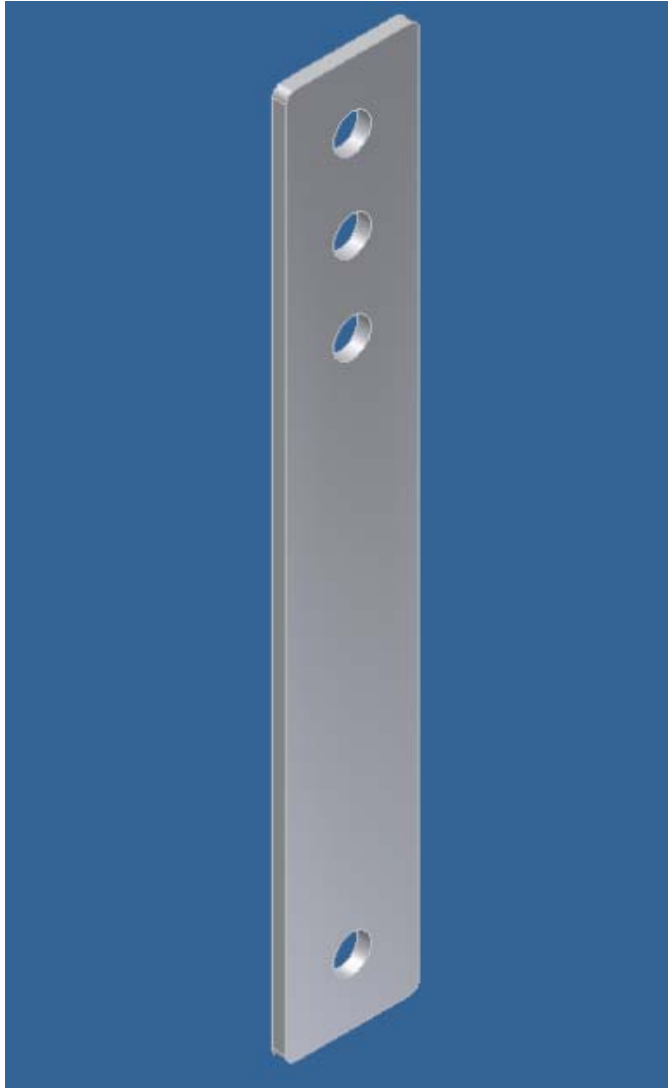


Figure 10A: Pictorial view of the arm

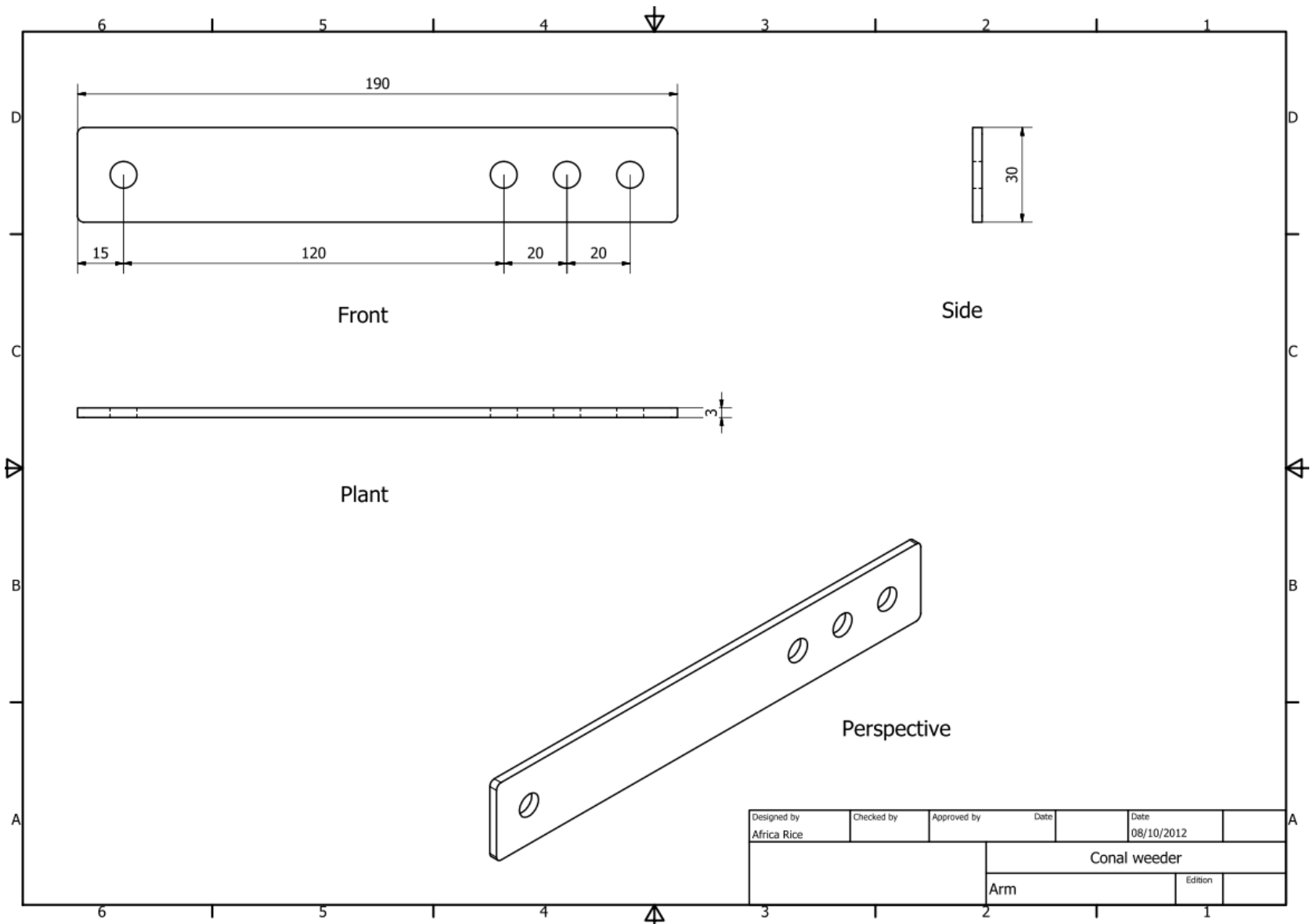


Figure 7B: Technical drawing of the arm

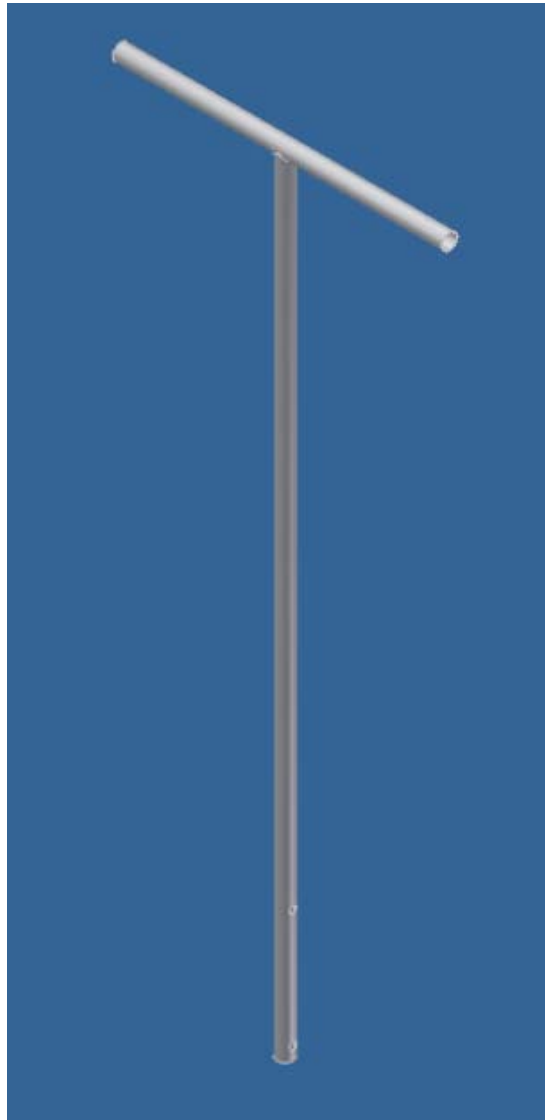


Figure 11A: Pictorial view of the cono-weeder handle

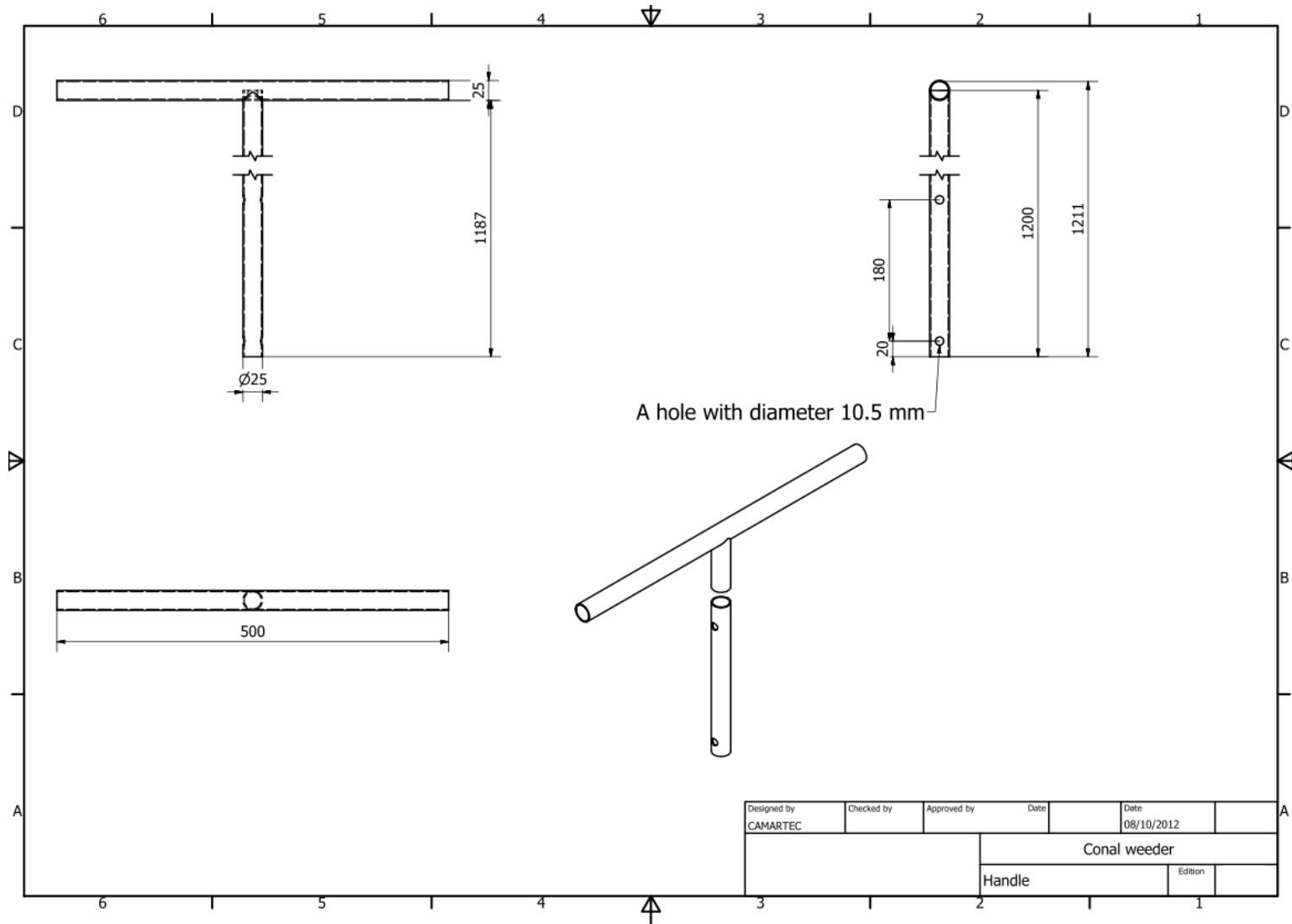


Figure 8B: Technical drawing of the cono-weeder handle